



THE i4

THE FIRST-EVER FULLY-ELECTRIC BMW i4

HIGHLIGHTS
JOURNEY

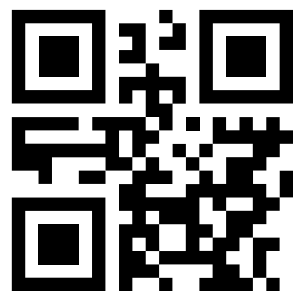
MODELS

EQUIPMENT

TECHNICAL VALUES
AND SERVICES



DISCOVER MORE.



Scan the code to get more information
and more driving pleasure on the first-ever fully-electric
BMW i4.

Highlights

- Exterior and interior design
- Driving dynamics
- Charging
- Connectivity and infotainment
- Assistance systems

Equipment

- Exterior colour world
- Interior colour world
- M Aerodynamic Kit
- Wheels and tyres

Original BMW Accessories

- Technical values
- BMW Services

BMW i4 eDrive40:
19" aerodynamic wheels 855 bicolour with mixed tyres, exterior colour in Mineral White metallic, sport seats in "Vernasca" leather Oyster decorative stitching|
Black, interior trim finisher in fine-wood trim Oak grain open-pored with Pearl Chrome accent strip.

CONTENTS

CHANGE

CAN SOMETIMES SEEM
LIKE A CHALLENGE.

That's why at BMW i, we believe in overcoming obstacles.

We have been pioneering electric mobility for the past ten years – and we will continue to be at the forefront of positive change in the future, too.

To do that, we want to meet you in dialogue. We want to embrace change together.

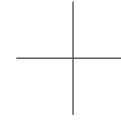
Because we believe in the endless possibilities of shaping the future and we believe there are a lot of great reasons to take that next step.

Let's take it together.

Let's make the future we want to live in become reality.

LET'S MAKE CHANGE
HAPPEN.

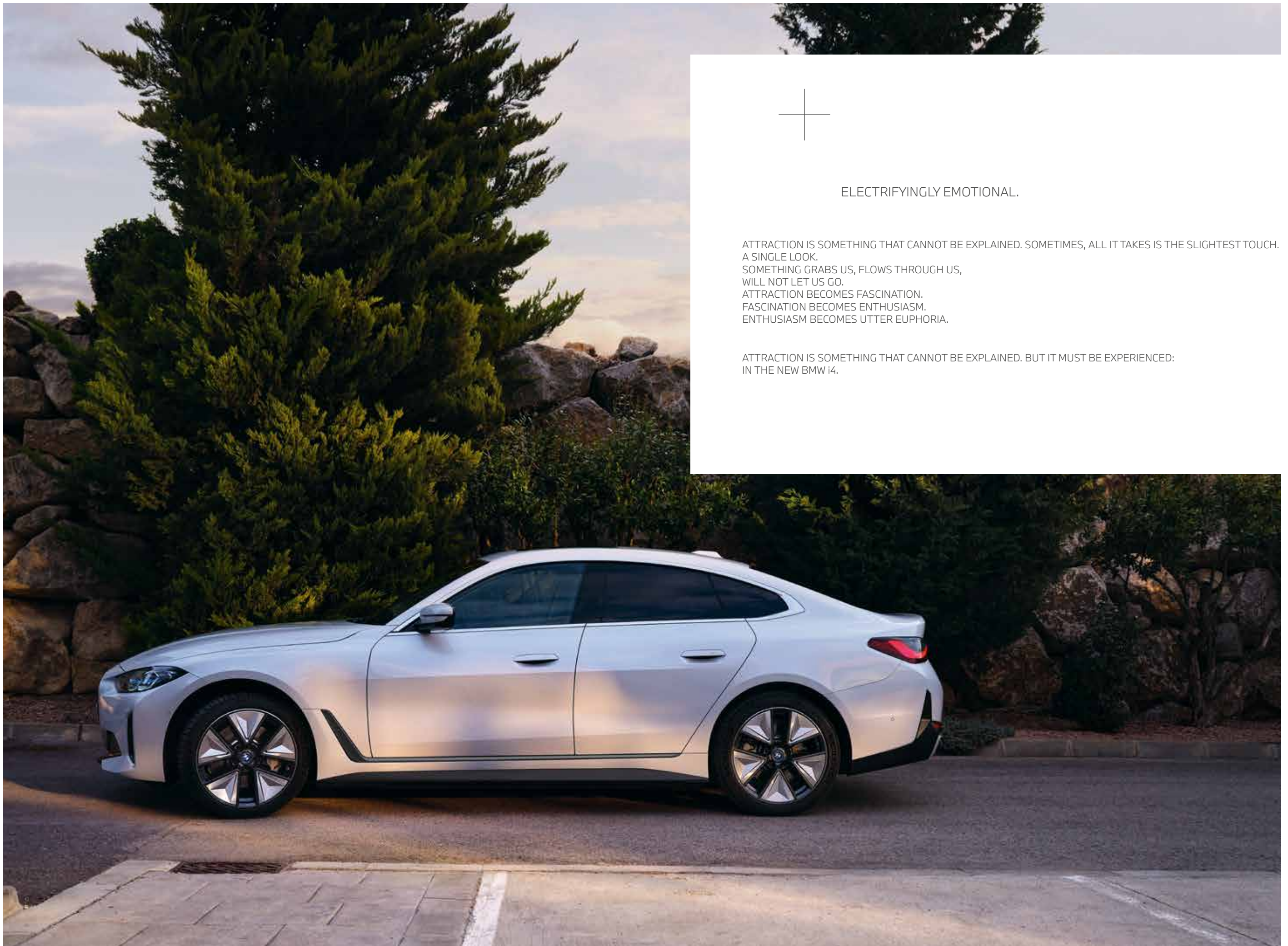




ELECTRIFYINGLY EMOTIONAL.

ATTRACTION IS SOMETHING THAT CANNOT BE EXPLAINED. SOMETIMES, ALL IT TAKES IS THE SLIGHTEST TOUCH.
A SINGLE LOOK.
SOMETHING GRABS US, FLOWS THROUGH US,
WILL NOT LET US GO.
ATTRACTION BECOMES FASCINATION.
FASCINATION BECOMES ENTHUSIASM.
ENTHUSIASM BECOMES UTTER EUPHORIA.

ATTRACTION IS SOMETHING THAT CANNOT BE EXPLAINED. BUT IT MUST BE EXPERIENCED:
IN THE NEW BMW i4.



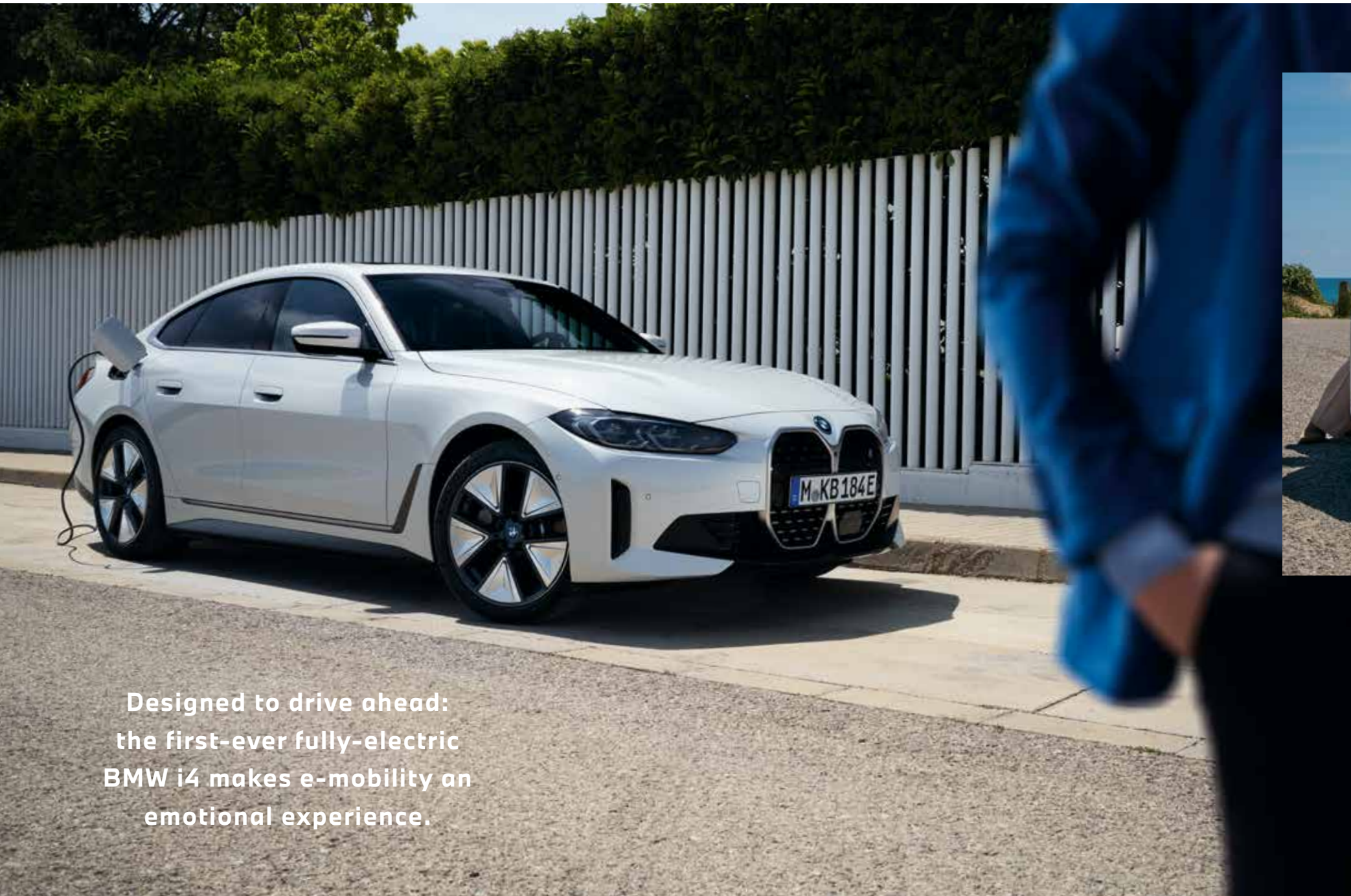
EMOTION – ELECTRICALLY INTERPRETED.

The first-ever fully-electric BMW i4 wears its innovative character on its sleeve like the sporty extrovert it is. Its futuristic exterior design combines athletic aesthetics with a clear surface language and progressive precision.

The unique focal elements in the interior create a luxurious atmosphere that turns every drive into an unforgettable experience.

A LOOK TO SET YOUR PULSE
RACING: THE FRONT END.

The front of the first-ever fully-electric BMW i4 is characterised by expansive closed surfaces in the vehicle colour and precise lines. A black inlay in the front apron and vertical side openings emphasise the functional, modern character of the vehicle from this perspective. The absolute highlight, however, has to be the concise, almost closed reinterpretation of the radiator grille, with its exclusive, high-quality design: this is what it looks like to always be a step ahead of progress.



Designed to drive ahead:
the first-ever fully-electric
BMW i4 makes e-mobility an
emotional experience.



- A sign of intelligence and aerodynamics: The vehicle design with **radiator grille outlined in Frozen grey** indicates the innovative technology of the first-ever fully-electric BMW i4.
- Flat, strikingly contoured **headlights** help the BMW i4 focus forward. **BMW Full LED headlamps** in its richly detailed, slender form add an emotional flair.

The availability of some equipment, functions, and digital services depends on engine variants or additional optional equipment. The offer structure as well as market and production availability may vary. For detailed information on availability, terms and costs, please contact your nearest BMW Authorised Dealership.

THRILLINGLY PROGRESSIVE: THE SIDE VIEW.

The dynamic gestures that highlight the side view are characterised by a long wheelbase, the fluid lines of the roof and short overhangs. Expansive, gently modelled surfaces with precise character lines create a modern technical overall impression that also exudes all the elegance of a true BMW. No question: this model is dominated by an awareness of always being at the forefront – effortlessly.



A HEAD-TURNER AT FIRST GLANCE: THE REAR.

The rear view impressively showcases how an uncompromisingly clear surface language can be the ideal, unmistakable finishing touch for the overall appearance of a vehicle. Sharp vertical rear spoiler set the BMW i4 apart from the road. In between, recessed surfaces add striking athletic flourishes and strengthen the sporty, wide effect from this angle.

■ The **rear lights with LED technology**, with their slender contours and horizontal lines, highlight how closely the BMW i4 hugs the road. The characteristic interpretation of the concise L-shape thanks to the large LED light element makes the rear even more recognisable.

ROOM FOR EMOTIONS: THE INTERIOR.

Open, luxurious and fascinatingly aligned with the needs of the driver as well as those of all the passengers: the interior of the BMW i4 unveils the next generation of advanced driving. The interplay of high-quality materials,

a multimodal, intuitive operating concept and a sporty feel in the seat, with separated areas for the driver and front passenger, creates an atmosphere that is every bit as delightful on long journeys as it is during shorter drives.

■ The **BMW Curved Display**, with its curved connection between the 12.3" instrument cluster and 14.9" Central Information Display, adds a high-quality, modern touch to the cockpit of the vehicle. Curved to face the driver, it represents a new, particularly intuitive form of typical BMW driver orientation. Virtually all functions are integrated into the system – even the air conditioning controls can be accessed via the touchscreen. This means that physical switches only appear inside the BMW i4 where they are really practical.





■ The best seats in the front row: the comfortable embrace of the sport seats in perforated sensatec upholstery is given an especially elegant boost by their **high-quality stitching**.

■ Total comfort, even in the back seats: up to three passengers can enjoy an **exclusive travel experience with generous head and leg room** amid an inviting, brightly-lit atmosphere in the new BMW i4.

■ The new BMW i4's **large tailgate** makes loading and unloading the 470-litre luggage compartment particularly convenient. In addition, the functional rear bench seat folds down to provide maximum storage space and flexibility with a boot capacity of 1290 litres.

CONSUME LITTLE, ACHIEVE EVERYTHING: SUSTAINABILITY.

Sustainability is developed at BMW, long before the driving pleasure begins. From the selection and processing of raw materials, through the actual production in our plants, to recycling: BMW is

constantly developing electric mobility to keep the ecological footprint as small as possible. This makes driving all the more enjoyable – even for our future generations.

SUPPLY CHAIN CONTROL.

Sustainability begins in the head and reaches everywhere. At BMW, sustainability can be felt in all business areas – and means much more than just saving CO₂: From the procurement of raw materials to the production of electric vehicles and the recycling of a BMW: **Our goal** is to follow the path to a sustainable automotive future step by step.



Sustainability, from the very first step. This is where it all begins: Raw materials. Even their procurement is an important component of sustainable production. That's why BMW is taking a very close look here: Are all human rights comprehensibly observed? Are environmental and social standards observed? Not only do we select our suppliers and producers particularly critically, we also become active ourselves in projects and measures to improve the working conditions of the people involved in the procurement of these raw materials.



VEHICLE PRODUCTION.

Sun, wind and innovative technologies: By using green electricity from renewable sources, BMW also minimises the amount of emissions and CO₂ when manufacturing vehicles. Three plants have made a start here – since 2020 BMW only uses electricity from renewable sources.

Leipzig plant



The agile BMW i3 and the sporty BMW i8 are built in the halls. In front of it, four 190-metre-high wind turbines circle: They produce up to 28 gigawatts of electricity per hour, which is stored in a battery farm consisting of 700 recycled BMW i3 batteries.

Shenyang plant, China



Where the flexible BMW i4 sees the light of day, the sun shines down on the BMW Group's most powerful photovoltaic system and produces over 15 megawatts of electricity – more than enough to make a BMW i3 drive around 7 million kilometres.

Dingolfing plant



The largest BMW plant in Europe operates in a particularly sustainable manner: The company's own cogeneration plant generates electricity and heat at the same time and covers around 50 percent of energy requirements. The rest also comes 100 percent from renewable energy sources.

THE MATERIAL CYCLE OF A BATTERY CELL.

A battery cell goes through four stages of life in an electric vehicle: Development, use in the vehicle, second life, and battery recycling. We accompany

battery cells on their journey from their development in the BMW Group Competence Centre to their recycling.

Developing the battery cell technology of tomorrow: in the Battery Cell Competence Centre in Munich, the BMW Group searches for the ideal chemical composition for electrodes in a battery cell.

We can compare the development process of a lithium-ion battery cell with baking a cake. The cell chemistry is the recipe, while the four ingredients are the four components: the cathode, anode, separator, and electrolyte.

The battery cells are assembled into battery modules and the individual battery modules into batteries. The key phase in a battery's life now begins, namely its use in the vehicle.

Even when the battery in the vehicle has reached the end of its useful life after many years, it is not the end for the batteries by any means. In the Leipzig plant, for example, more than 2,600 BMW battery modules are used for the temporary storage of power. This second life use means that the battery cell can be used for another ten years on average as an energy store.

After the battery cells are shredded, their raw materials can be recycled. The BMW Group develops the recycling of secondary raw materials in the Battery Cell Competence Centre. The battery cell's lifecycle is then complete, ready to begin again.

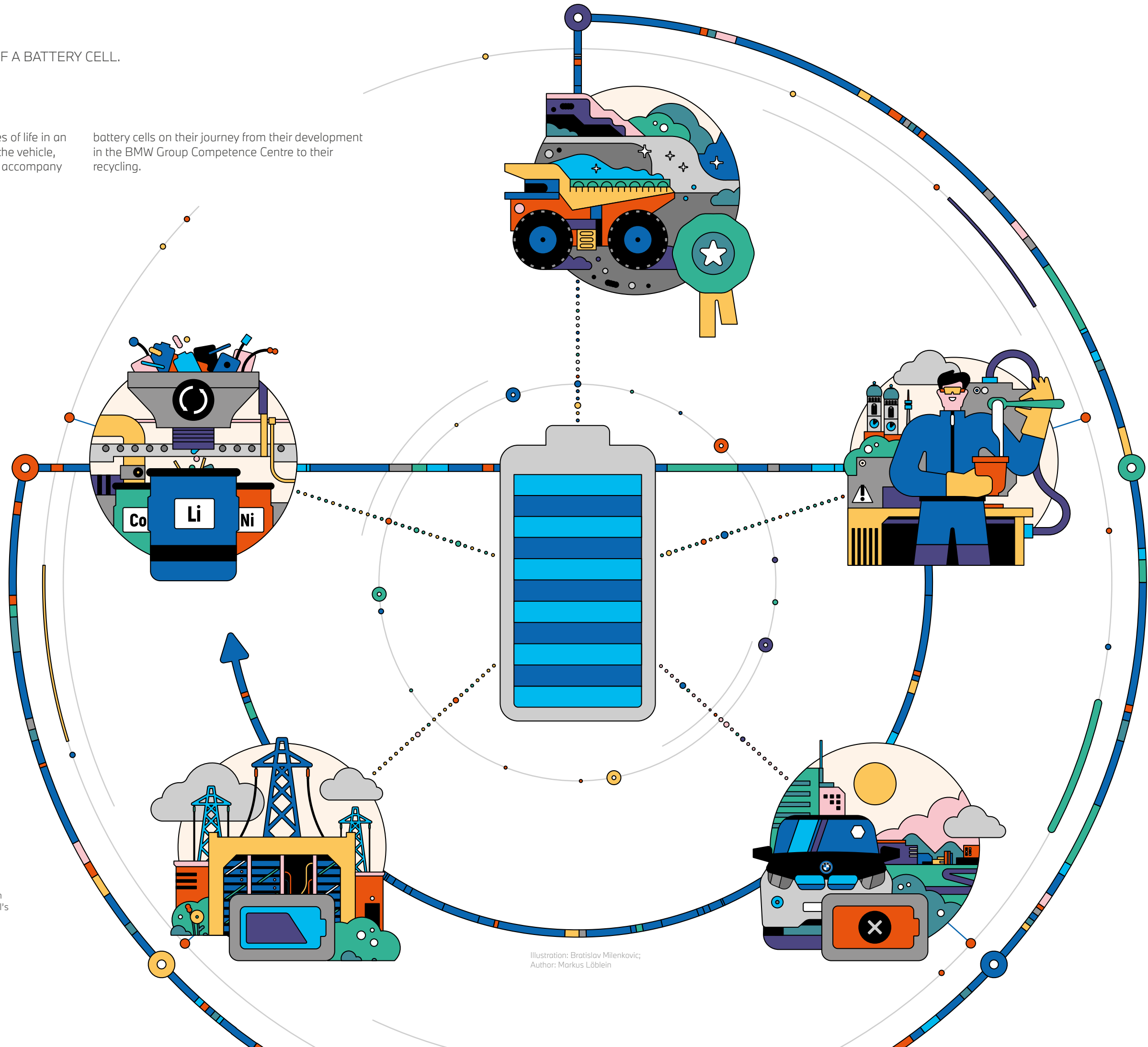


Illustration: Bratislav Milenkovic;
Author: Markus Löblein



SHEER DRIVING PLEASURE: UNLIMITED.

Thanks to its unique combination of powerful lithium-ion high-voltage battery and specific suspension kinematics, the new BMW i4 will help you experience driving pleasure as you've never seen it before. Excitingly dynamic, comfortable and powerful in equal measure, the first-ever fully-electric BMW i4 exceeds all expectations – every day, every trip.

■ The combination of the rear wheel drive and the BMW eDrive engine give the first-ever fully-electric BMW i4 **an outstanding sporty** feel. Thanks to its **rear axle air suspension**, it also ensures **maximum comfort**, so that even longer trips become a pleasure.



■ The BMW i4 confidently sets new standards, even off the racing track – and thanks to its particularly **short charging times**, a **roomy luggage compartment** and the comfortable space it offers for four passengers, it is the ideal partner for any daily routine.



The availability of some equipment, functions, and digital services depends on engine variants or additional optional equipment. The offer structure as well as market and production availability may vary. For detailed information on availability, terms and costs, please contact your nearest BMW Authorised Dealership.

CONVENIENCE KNOWS
NO BOUNDARIES.

Enhance your charging equipment with customised BMW Charging solutions. For instance with a Wallbox to charge your vehicle from home even more conveniently. Our installation service will be happy to connect it and set it up at your home for you.

The options are almost endless – with BMW Charging you can experience the fully fledged variety of modern mobility.

BMW WALLBOX FOR FAST AND
CONVENIENT CHARGING AT HOME.

■ The BMW Wallbox¹ offers you safe, stress-free and fast charging. With the permanently installed robust BMW Wallbox for use outdoors, you can charge quickly and reliably with currently up to 11 kW.



ANYWHERE AT HOME – FLEXIBLE AND
MOBILE CHARGING WITH THE FLEXIBLE
FAST CHARGER.

□ The optional **flexible fast charger** offers maximum flexibility for home charging. It always adapts to the charging infrastructure thanks to the available adapter cables and can be connected to both a domestic socket outlet and an industrial socket. You can take the compact, light flexible fast charger with you wherever you go and also charge your BMW in another "home", for example a second or holiday home.

Flexible charging
with up to
11 kW
power



SMART WALLBOX.

□ Even smarter charging at home: In addition to a charging power up to 11 kW the Smart Wallbox offers our partners comprehensive connectivity. This makes smart, additional services for intelligent charging possible. For instance, the Smart Wallbox¹ can be integrated into an existing home energy management system and conveniently controlled online. Accurate registering and billing of charging processes is also possible.



The availability of some equipment, functions, and digital services depends on engine variants or additional optional equipment. The offer structure as well as market and production availability may vary. For detailed information on availability, terms and costs, please contact your nearest BMW Authorised Dealership.



PROGRESS THAT CONNECTS.

Leave everything behind – but stay connected with what is important to you: The extensive connectivity and infotainment functions in the first-ever fully-electric BMW i4 ensure that you are at the centre of the action on every trip – no matter where the road takes you.



■ Use real-time navigation, make calls, dictate and listen to text messages, listen to music and more: Thanks to smartphone integration¹, numerous functions of your iPhone are easily and safely available in the vehicle with **Apple CarPlay**[®]. When navigating with Apple Maps, the map is displayed on a large scale in the instrument cluster of the new BMW i4.



■ With **BMW iDrive**, you can enjoy an even more convenient and innovative range of options for controlling your new BMW i4. In conjunction with the large **BMW Curved Display** it ensures that you can see all information clearly without having to search for it. This is also supported by the **BMW Operating System 8**, which can be used intuitively via touchscreen, iDrive Controller and voice control thanks to its progressive, modern user interface.

The availability of some equipment, functions, and digital services depends on engine variants or additional optional equipment. The offer structure as well as market and production availability may vary. For detailed information on availability, terms and costs, please contact your nearest BMW Authorised Dealership.

The usability of the Apple CarPlay or Google Android Auto service cannot be guaranteed permanently. CarPlay is a trademark of Apple Inc. Android Auto is a trademark of Google LLC.



TECHNOLOGY OPTIMISED TO SUIT YOUR NEEDS.

The first-ever fully-electric BMW i4 is always at your side, providing reliable support even in challenging driving situations. A smart combination of sensors, assistance systems and safety technologies ensures that you feel perfectly at ease on every journey and can skilfully master any situation.



■ Making bothersome routines a pleasure: its numerous cameras will improve your overview and make it easier to manoeuvre and park your new BMW i4. If you like, the **Parking Assistant** can even park your car for you and drive it out of your parking space – everything about the new BMW i4 is geared towards making every drive a unique experience from start to finish.



■ The Parking Assistant parks the vehicle automatically in spaces that are parallel or perpendicular to the street. At the same time, it can automatically drive out of parallel parking spaces. The system measures potential parking spaces while driving past them at speeds below 35 km/h and at a maximum distance of 1.5 m from the row of parked vehicles. Once a sufficiently sized parking space has been found, you just need to turn on the indicator and the Parking Assistant takes over the steering, and covers gear selection and acceleration. All you need to do is monitor the parking process. Pulling out of parallel parking spaces works in the same way. When manoeuvring, the Reversing Assistant records up to 50 m of the forward travel path in order to reverse the same path if you so wish. The distance of the remaining route is shown in the image of the Reversing Assist Camera.



The availability of some equipment, functions, and digital services depends on engine variants or additional optional equipment. The offer structure as well as market and production availability may vary. For detailed information on availability, terms and costs, please contact your nearest BMW Authorised Dealership.





MODEL VARIANTS AT A GLANCE.

SPORT

Pure emotions that electrify: Dynamic and expressive, the first-ever fully-electric BMW i4 shows what it means to combine its sporty character and a next-generation electric drive. At the same time, it captivates with its clear surface language and precise, modern appearance, even at first glance.



■ The black Sport leather steering wheel with four spokes features a Pearl Chrome decorative trim. A thick rim and contoured thumb rests provide an exceptionally pleasant, high-grip feel.

■ The Sport seats for driver and front passenger provide optimum lateral support with their raised side bolsters and manually adjustable thigh support. In addition, the seat's fore-and-aft position and height can be adjusted manually.

HIGHLIGHT EXTERIOR EQUIPMENT FEATURES:

- LED headlights
- Rear lights with LED technology
- Recuperation system

HIGHLIGHT INTERIOR EQUIPMENT FEATURES:

- BMW Live Cockpit Plus
- Sport leather steering wheel
- Automatic air conditioning with 3-zone control
- Harman Kardons Surround Sound System
- Steptronic transmission
- Sport seats for driver and front passenger
- Perforated sensatec upholstery
- Fine wood trim oak grain open pore
- Floor mats in velour
- Instrument panel in Sensatec

The availability of some equipment, functions, and digital services depends on engine variants or additional optional equipment. The offer structure as well as market and production availability may vary. For detailed information on availability, terms and costs, please contact your nearest BMW Authorised Dealership.



EQUIPMENT HIGHLIGHTS.



■ The black Sport leather steering wheel with four spokes features a Pearl Chrome decorative trim. A thick rim and contoured thumb rests provide an exceptionally pleasant, high-grip feel.



■ The top of the BMW instrument panel is covered in black sensatec upholstery with grey seam. The sophisticated aesthetic of this high-quality trim gives the interior an even more luxurious feel.



■ Exclusive galvanic embellishers for controls such as the window lifts, the control centre for the door, the door lock switch, as well as, depending on the equipment, the multifunction buttons on the steering wheel lend a particularly high-quality look.

■ Standard equipment □ Optional equipment

The availability of some equipment, functions, and digital services depends on engine variants or additional optional equipment. The offer structure as well as market and production availability may vary. For detailed information on availability, terms and costs, please contact your nearest BMW Authorised Dealership.

EQUIPMENT HIGHLIGHTS.



■ The BMW Live Cockpit Plus comprises a curved display combination with a 12.3" instrument display and a 14.9" control display with touch function.



■ The tonally outstanding Harman Kardon surround sound system features a 464 W digital amplifier, nine channels and 17 speakers. Its sophisticated sound perfectly fills the interior space. Vehicle-specific, speed-dependent equalising precisely compensates for any background driving noise.

■ The one-piece Widescreen Display pairs ergonomically optimised intuitive operation with a display combination consisting of a 12.3" instrument display and a 14.9" control display. The latter can be conveniently controlled via a touchscreen. The free-floating look and the curved shape of the Widescreen Display provide an elegant impression.



■ Why go without the features of your smartphone in your BMW when you can continue operating it as usual? With smartphone integration¹, your vehicle supports Apple CarPlay and Android Auto by means of a wireless connection between your smartphone and the vehicle. This allows you to conveniently use familiar functions and various apps in the vehicle.

■ Standard equipment □ Optional equipment

¹ Smartphone Integration is permanently available in the vehicle. It includes Apple CarPlay and Android Auto. Due to possible future technical developments (e.g. of mobile phones), the usability of the Apple CarPlay or Google Android Auto

service cannot be guaranteed permanently. CarPlay is a trademark of Apple Inc. Android Auto is a trademark of Google LLC.

EQUIPMENT HIGHLIGHTS.



The air suspension on rear-axle ensures maximum comfort. You can also adjust the suspension characteristics via the Driving Experience Control to enable your preferred driving style at the time – from comfortable to extremely athletic with markedly agile handling.



■ Servotronic steering continuously adjusts the steering effort required and steering force depending on the current speed and on the angle of the steering wheel.



■ The Parking Assistant parks the vehicle automatically in spaces that are parallel or perpendicular to the street. At the same time, it can automatically drive out of parallel parking spaces. The system measures potential parking spaces while driving past them at speeds below 35 km/h and at a maximum distance of 1.5 m from the row of parked vehicles. Once a sufficiently sized parking space has been found, you just need to turn on the indicator and the Parking Assistant takes over the steering, and covers gear selection and acceleration. All you need to do is monitor the parking process. Pulling out of parallel parking spaces works in the same way. When manoeuvring, the Reversing Assistant records up to 50 m of the forward travel path in order to reverse the same path if you so wish. The distance of the remaining route is shown in the image of the Reversing Assist Camera.



■ The Reversing Assist Camera¹ ensures better orientation when reversing below 20 km/h, for example when parking. It shows the area behind the BMW on the Control Display. Interactive tracer lines for measuring distance and turning circles and a zoom function when towing a trailer assist when manoeuvring. Obstacles to avoid are marked in colour.



■ The Lateral parking aid¹ is a part of Park Distance Control and gives you an "all-round view" near the vehicle during manoeuvring. In this way, obstacles on the sides of the vehicle are detected and signalled audibly and visually.

¹ The driver is responsible for constantly monitoring the automated parking procedure in accordance with local road laws.

The availability of some equipment, functions, and digital services depends on engine variants or additional optional equipment. The offer structure as well as market and production availability may vary. For detailed information on availability, terms and costs, please contact your nearest BMW Authorised Dealership.

EQUIPMENT HIGHLIGHTS.



■ BMW LED headlamps with iconic DRLs



■ Ambient light, including Ambient contour lighting in the doors, creates a relaxed, cosy lighting atmosphere in the interior. The dimmable lighting designs also include a dynamic function in four applications. The Welcome Light Carpet illuminates the area in front of the vehicle doors when entering and exiting.

The availability of some equipment, functions, and digital services depends on engine variants or additional optional equipment. The offer structure as well as market and production availability may vary. For detailed information on availability, terms and costs, please contact your nearest BMW Authorised Dealership.

EQUIPMENT HIGHLIGHTS.

■ The glass sunroof with slide and lift function, including an electric sliding interior roof, anti-trap protection, as well as comfort opening and closing, allows the airflow to be individually regulated to create a pleasant interior climate. The integrated wind deflector prevents draughts from developing in the interior and ensures a lower level of wind noise.



■ The Automatic air conditioning with 3-zone control and automatic temperature control features separate controls for you and your front passenger, as well as for the passengers in the rear. It also includes Automatic Air Recirculation (AAR), a micro active carbon filter, a fog and solar sensor, as well as rear air vents with a digital display.

■ The storage compartment package includes a fold-down compartment on the driver's side of the instrument panel, nets on the back of the front-seat backrests, as well as two USB ports with charging function in the rear centre console. There is also a storage net on the left and right side for smaller items and a multipurpose hook in the luggage compartment. Additional 12 V power sockets are located in the rear centre console and in the luggage compartment.



■ The electric seat adjustment makes it particularly convenient and easy to adjust the driver and front passenger seats. The memory function enables drivers to save and retrieve their desired settings for the driver's seat and exterior mirrors at the push of a button.



■ Standard equipment □ Optional equipment

¹ Smartphone Integration is permanently available in the vehicle. It includes Apple CarPlay and Android Auto. Due to possible future technical developments (e.g. of mobile phones), the usability of the Apple CarPlay or Google Android Auto

service cannot be guaranteed permanently. CarPlay is a trademark of Apple Inc. Android Auto is a trademark of Google LLC.

EXTERIOR COLOUR WORLD.



■ Metallic Mineral White ■ Metallic Skyscraper Grey² ■ Metallic Black Sapphire

INTERIOR COLOURS.

UPHOLSTERY COLOURS



■ Sensatec perforated Canberra Beige | Black ■ Sensatec perforated Cognac

INTERIOR TRIM FINISHERS



■ Fine-wood interior trim oak grain open-pored



ORIGINAL BMW ACCESSORIES.

AS A PROUD BMW OWNER, ACCESSORIES ARE CUSTOMISED TO YOUR OWN INDIVIDUAL TASTE. NOW YOU CAN FURTHER ENHANCE YOUR DRIVING PLEASURE WITH ORIGINAL BMW ACCESSORIES AND PERSONALISE THE NEW BMW i4 FOR A GREATER LEVEL OF LUXURY. CHOOSE FROM OUR WIDE RANGE OF ACCESSORIES SPECIALLY DESIGNED FOR THE INTERIOR, EXTERIOR, CONNECTIVITY, TRAVEL AND COMFORT TO SUIT YOUR INDIVIDUAL NEEDS.

M PERFORMANCE PARTS.

SELECTOR LEVER
(AVAILABLE IN ALCANTARA & CARBON FIBRE).



Product Code: 61315A40305/06*

The BMW M Performance selector trim features in Carbon Fibre and Alcantara Options. The structure of the open-pored carbon fibre is pleasant to the touch. The premium quality Alcantara heightens the exclusive racing feeling.

M PERFORMANCE KEY FOB.



Product Code: 8229235519

Protects your key and looks great doing it! This key case is characterized by its material mix of carbon fibre and Alcantara. Timelessly elegant, technically sophisticated - and a small, fine statement for the motor sports.

DOOR SILL IN CARBON FIBRE.



Product Code: 51472472520

The grand doorstep. The M Performance door sill finishers are finished with a high-quality carbon fibre trim and enhances the sporty and exclusive appearance of the vehicle.

BUMPER TRIM IN CARBON FIBRE.



Product Code: 51128081711/12

The M Performance Bumper Trim made from carbon-fibre creates an even more modern appearance - and enhances the vehicle's sporty look.

REAR SPOILER IN CARBON FIBRE.



Product Code: 51625A35A69

The M Performance carbon fibre rear spoiler enhances the car's premium-quality, dynamic appearance and ensures optimised aerodynamics.

GRILLE TRIM IN CARBON FIBRE.



Product code: 51118081685/6

Show your style: the frame of the M Performance kidney grille is made of premium carbon fibre. For an especially elegant, sporty and individual look.

SIDE SKIRT TRANSFERS IN FROZEN BLACK.



Product code: 51145A30BB6/2461811

The M Performance side skirt foils in matt are perfectly tailored to the car's design and geometry. They lend the car an exceptionally sporty look.

UNIVERSAL ACCESSORIES.

ALL WEATHER FLOOR MATS.



Product Code: 51472461169

Precisely fitted protection against moisture and dirt in the front footwell. Featuring a black design with a stainless steel inlay, they perfectly complement the interior.

DOOR PROJECTOR.



Product Code: 63312463924

The innovative door projectors are automatically activated when the doors are opened. They project an image onto the ground next to the car using an interchangeable slide.

LEATHER KEY CASE.



Product Code: 82292408818/19/344033

The perfectly fitted key case, made from high-quality leather, is fixed to the key with a stylish metal clasp. It protects against scratches, dirt and moisture and protects buttons from accidental usage.

Available in Saddle Brown, Mocha and Black color options.

DISPLAY KEY CASE.



Product Code: 82292365436

The BMW Display Key shows various information about the vehicle's status and allows selected functions to be controlled with an integrated touch display.

BMW WALLBOX.



Like a filling station at home. With the BMW Wallbox, the BMW is charged fast, reliably and conveniently with up to 11 kW.

WHEELS AND TYRES.



17" aerodynamic wheels 852 Bicolour Black Grey, gloss-lathed, wheel size 7.5J x 17 with 225/55 R17 tyres.¹



18" aerodynamic wheels 854 in Multicolour Dark Grey uni with mixed tyres, wheel size front 8.5J x 18 with 245/45 R18 tyres, wheel size rear 9J x 18 with 255/45 R18 tyres.



18" M aerodynamic wheels 858 M Bicolour Black Grey with mixed tyres, gloss-lathed, wheel size front 8.5J x 18 with 245/45 R18 tyres, wheel size rear 9J x 18 with 255/45 R18 tyres.^{2,3}



19" M light alloy wheels Y-spoke style 859 M Bicolour Jet Black uni with mixed tyres, gloss-lathed, wheel size front 8.5J x 19 with 245/40 R19 tyres, wheel size rear 9J x 19 with 255/40 R19 tyres.

The availability of some equipment, functions, and digital services depends on engine variants or additional optional equipment. The offer structure as well as market and production availability may vary. For detailed information on availability, terms and costs, please contact your nearest BMW Authorised Dealership.

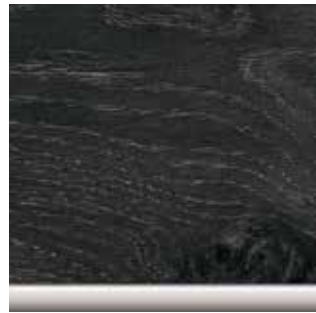
M AERODYNAMIC KIT.



Drift of emotions: The M Aerodynamic Kit emphasises the athletic alignment of the new BMW i4 with its dynamically designed exterior and exclusive equipment range.



■ M-specific front and rear apron in the vehicle colour, design elements on the side sills in Black high-gloss and a two-piece diffuser insert in Dark Shadow metallic and Black high-gloss conveys pure dynamics and sporting character.



■ Interior trim fine wood trim oak grain open-pore



■ 18" M aerodynamic wheels 858 M Bicolour Black Grey with mixed tyres, gloss-lathed, wheel size front 8.5J x 18 with 245/45 R18 tyres, wheel size rear 9J x 18 with 255/45 R18 tyres.



□ 19" M light alloy wheels Y-spoke style 859 M Bicolour Jet Black uni with mixed tyres, gloss-lathed, wheel size front 8.5J x 19 with 245/40 R19 tyres, wheel size rear 9J x 19 with 255/40 R19 tyres.



M AERODYNAMIC KIT EQUIPMENT:

- M Aerodynamics package with front apron, side sills and rear apron in vehicle colour with multi-piece insert in rear bumper in Dark Shadow metallic and Black high-gloss
- 18" M aerodynamic wheels 858 M Bicolour with mixed tyres; or 19" M light alloy wheels Y-spoke style 859 M Bicolour jet black with mixed tyres.

The availability of some equipment, functions, and digital services depends on engine variants or additional optional equipment. The offer structure as well as market and production availability may vary. For detailed information on availability, terms and costs, please contact your nearest BMW Authorised Dealership.



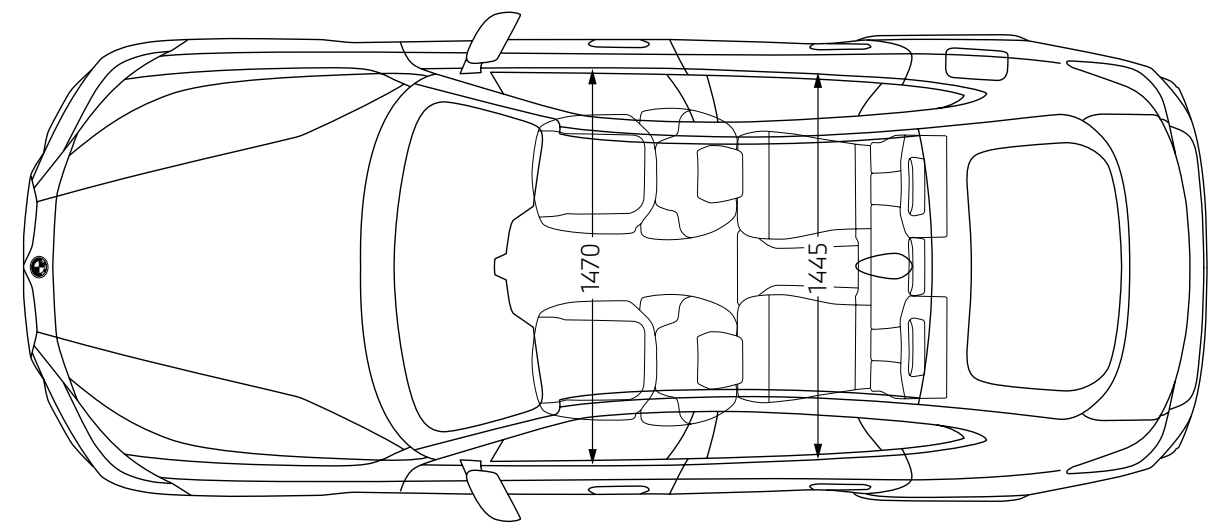
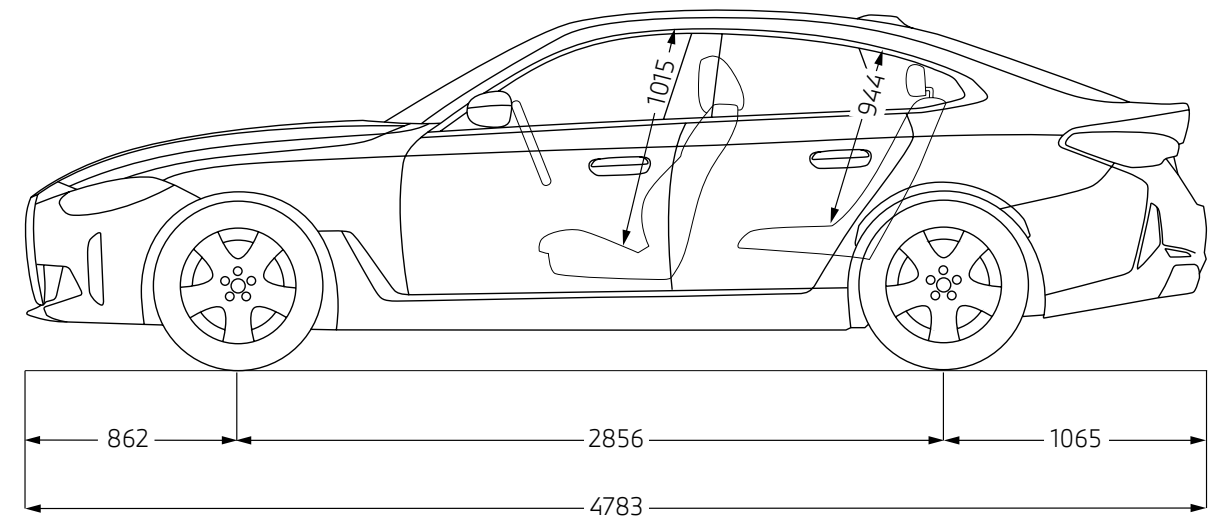
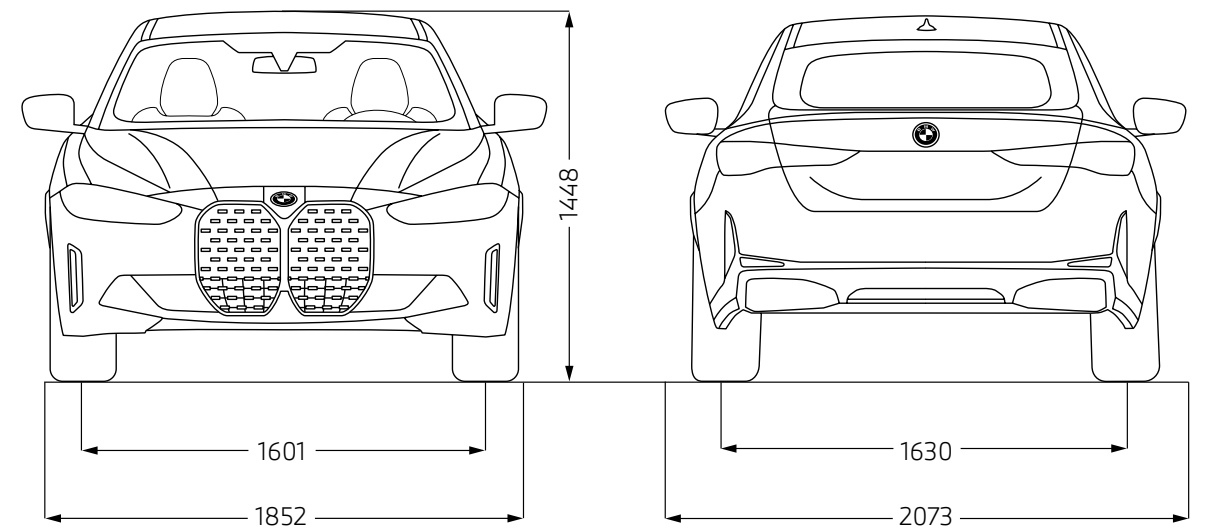


TECHNICAL VALUES
AND SERVICES

TECHNICAL VALUES.

BMW i4		i4 eDrive40
Luggage capacity		470-1290
Output and torque		
• System output	kW (hp)	250 (340)
• System torque	Nm	430
Lithium-ion high-voltage battery		
Net battery capacity	kWh	83.9
Charging time (AC 0-100 %) ²	h	8.25
Charging time (DC 10-80%) ²	min	31
Power transmission		
Type of drive	-	Rear-wheel
Performance		
Top speed (xDrive)	km/h	190
Acceleration 0-100 km/h (xDrive)	s	5.7
Consumption and range^{3,5}		
• Power consumption, combined ⁴	kWh/100 km	19.1-16.1
• Electric range	km	493-590
Wheels/tyres		
Standard wheels	-	Front: 225/55 R17 101 Y XL Rear: 225/55 R17 101 Y XL

TECHNICAL VALUES.



¹ The figures quoted are based on a driver weight of 75 kg. Unladen weight applies to vehicles with standard equipment. Optional equipment may affect the weight of the vehicle, the payload and the top speed if the equipment has an impact on the vehicle's aerodynamics.
² Dependent on the local electricity infrastructure. AC charging time refers to a charging power of 11 kW; DC charging time refers to a charging power of 200 kW.
³ Official data for power consumption and electric range was determined in accordance with the prescribed measuring procedure and corresponds to European Regulation (EU) 715/2007 in the applicable version. For ranges, data determined as per WLTP takes into account any optional equipment (available on the German market in this case). For vehicles that have been newly type approved since 1 January 2021, only the official data according to WLTP exists. For more information about NEDC and WLTP measuring procedures visit www.bmw.com/wltp
⁴ The combined power consumption depends on the selected wheel and tyre sizes
⁵ As of 1 September 2017, the type approval for certain new vehicles is granted according to the Worldwide harmonised Light vehicles Test Procedure (WLTP), a new, more realistic test procedure to measure the fuel consumption and carbon dioxide emissions. As of 1 September 2018, the WLTP replaced the New European Driving Cycle (NEDC), the previous test procedure. As a result of the more realistic test conditions, the fuel consumption and CO2 emission values measured as per WLTP are, in many cases, higher than the values measured according to the NEDC.
⁶ Range depends on various factors, in particular: individual driving style, route characteristics, outside temperature, heating/air conditioning, pre-conditioning.

The dimensions in the technical drawing are in millimetres and may vary depending on the model and optional equipment.



BMW SERVICE.



Always there for you: Your BMW Service Partner is there for helpful, expert support for everything to do with your BMW. Our aim is to make every journey in your BMW as pleasant as possible. A major worldwide network of workshops offers premium service from BMW specialists, innovative diagnostic technologies, and rapid availability of precisely fitting original BMW parts as well as original BMW engine oil. There are many great reasons to choose services from BMW, but there's one that really stands out: that driving pleasure that sets your BMW apart from the crowd will be yours to enjoy for many years to come with BMW Service.

WHEREVER, WHENEVER: OUR COMPREHENSIVE SERVICE.

Many BMW services can be easily booked and tracked online – so you can use your time for the really important things in life. Stay independent and flexible with online appointments and remote services. Take advantage of our innovative digital products and services such as online video advice, and get all the relevant information on your smartphone. And if you don't want to stop but have no choice, our BMW Breakdown and Accident Assistance service will help.



BMW SERVICE INCLUSIVE.

Just let go and concentrate only on what really counts: the joy of driving. You can do precisely that with BMW Service Inclusive because, with just one payment, you're covered for all included service and maintenance work for a duration of your choice, and can drive worry-free and without any hidden costs. Your BMW is always in the best hands – at all participating BMW service partners worldwide.



BMW WARRANTY EXTENSION.

With the BMW dealer warranty, you are protected against unexpected repair costs for 24 months. But you'll have no need to worry even after then due to the option of extending your warranty to up to 5 years.

SUSTAINABILITY, TANGIBLY EFFECTIVE.

Sustainability has many facets – and each one of them is important. For this reason, the printed product that you hold in your hands is printed on NAUTILUS® paper made by the manufacturer Mondi.

This uncoated paper consists entirely of recycled waste paper, meets the EU Ecolabel requirements among others and was certified by the Forest Stewardship Council, an international non-profit organisation for the protection of forests. Any pulp that is used originates exclusively from FSCTM-certified, sustainably managed forests.

To reduce the ecological footprint even further, investments are being made in the Pesqueiro hydropower plant to compensate the CO₂ generated during production, saving some 20,000 tons of CO₂ emissions every year.

This results in CO₂-neutral paper – a result that you can feel but that, above all, helps to preserve our planet's resources for all future generations.



BMW EXTENDED WARRANTY AND SERVICE PACKAGE.



The first-ever fully-electric BMW i4 will run well when it's kept well. And to make your journey one with complete peace of mind, we have packages under BMW Service and Repair Inclusive that take care of maintenance, inspection, wear and tear and warranty.

BMW Service Inclusive (BSI)

A single up-front payment covers an extensive range of work on your the new BMW i4 for a fixed period.

Complete Cost Control.¹

Integrate the cost of service work in your leasing and finance installments.

Fully Flexible.

You have a choice of various packages with different durations. You can choose from 4 years to 10 years. Service packages are capped with a maximum mileage of 2,00,000km.

Easily Transferable.

Consistent maintenance by trained BMW Certified Technicians and the use of Original BMW Parts secure the value of your car in the long term. In case you sell your car, BMW Service Inclusive is automatically transferred to the next owner – an additional selling point.

BMW Repair Inclusive (BRI)

BRI offers the ease of extending the warranty of your car with unlimited mileage up to 5 years. BRI too is automatically transferred to the next owner in the event of selling your car.

	Service Inclusive Packages	Service Inclusive	Service Inclusive Plus	Repair Inclusive
Maintenance	Scope of Services			
	Service standard scope	✓	✓	
	Vehicle check service	✓	✓	
	Micro filter service	✓	✓	
	Brake fluid service	✓	✓	
	Charging high voltage battery up to 75 - 80%	✓	✓	
Wear Parts	Service Wiper Blades (once per year)		✓	
	1 set of brakes (front + rear, discs + pads)*		✓	
	Warranty extension			✓

¹Applicable only with BMW India Financial Services Private Limited during the initial purchase of the vehicle (not on other finance or during upgrades).

BMW FINANCIAL SERVICES.

BMW Financial Services
Realize the dream.



BMW FINANCIAL SERVICES OWNERSHIP PACKAGES TAILOR MADE FOR THE FIRST ALL ELECTRIC BMW i4.

In the world of BMW, world-class isn't limited to the vehicles we engineer. It also finds its way into the services we offer. BMW Financial Services is the most flexible and efficient way to realise your dream of owning your new BMW i4. Our goal is to make your financing experience seamless at every step of your purchase so that nothing comes between you and the joy of driving your BMW.

Complete peace of mind.

BMW Financial Services offers you complete packages for loan, insurance and vehicles services that ensures complete peace of mind. With us, you are assured of quick approvals with fast turnaround time, special loyalty benefits and part payment facility.

Own it with the ultimate finance - bmw 360° plan.



- Best-in-class guaranteed assured buyback to future-proof your BMW i4.
- 40% Lower monthly payment.
- Flexibility to upgrade, retain or return at the end of your contact.

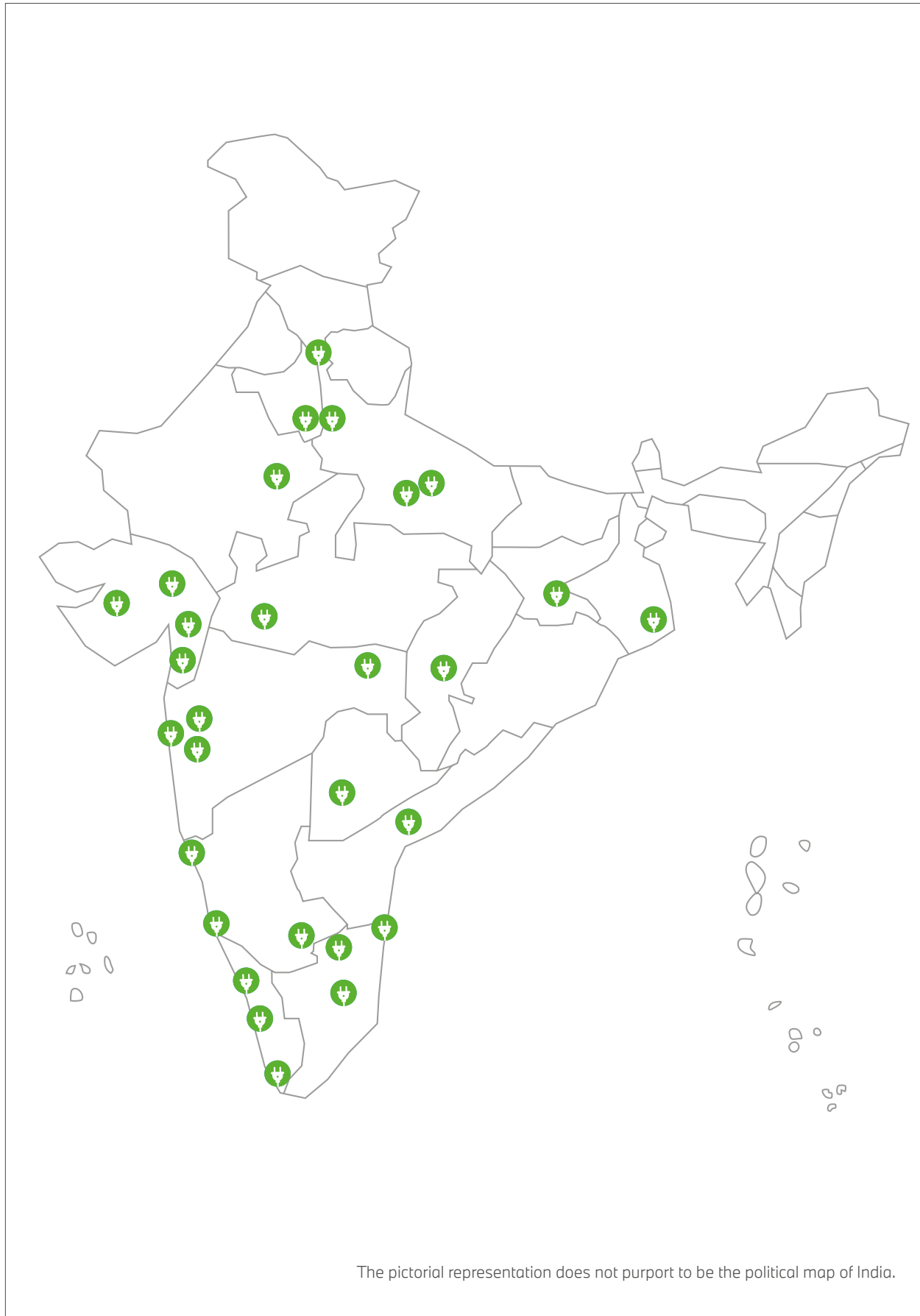
BMW insurance solutions and services.



- Our comprehensive insurance program provides maximum protection with additional options such as zero depreciation, battery cover and return to invoice.
- Our Road-side assistance cover offers complete peace of mind while on the move with facilities like portable roadside charging.

BMW INDIA NETWORK.

Now charge hassle-free at your nearest BMW showroom charging station and experience the unlimited power of the first-electric BMW i4.



DEALERSHIPS.

Fully equipped with electric infrastructure.

NORTH

BMW Bird Automotive

- SW 4IDC, MG Road, Gurugram
- S Golf Course Road, Sector 56 Gurugram

BMW Deutsche Motoren

- S Mohan Cooperative, Mathura Road New Delhi
- W Shivaji Marg, Moti Nagar, New Delhi
- SW Sector 27B, Mathura Road, Faridabad
- SW Sector 63, Noida

BMW Infinity Cars

- S Rajouri Garden, New Delhi
- W Mayapuri, New Delhi

BMW Krishna Automobiles

- SW Industrial Phase 1, Chandigarh
- SW GT Road, Ludhiana

BMW Sanghi Classic

- SW Tonk Road, Jaipur
- S Madri Industrial Area, Udaipur*

BMW Speed Motorwagen

- SW Chintah, Lucknow
- SW Kalpi Road, Kanpur

EAST

BMW OSL Prestige

- S Silver Arcade, Kolkata
- W East Topsia Road, Kolkata
- SW Bhanpur, Cuttack*

BMW Titanium Autos

- SW Ormanjhi, Ranchi

WEST

BMW Bavaria Motors

- S Wellesley Road, Pune
- W Hadapsar, Pune
- SW Verna, Goa
- SW Chikalthana, Aurangabad*

BMW Eminent Cars

- SW Surat-Dumas Road, Piplod, Surat
- SW Sunpharma Road, Vadodara

BMW Gallops Autohaus

- SW S G Highway, Sarkhej, Ahmedabad
- SW Gondal Road, Rajkot

BMW Infinity Cars

- S Worli, Mumbai
- S Nariman Point, Mumbai
- S Vashi, Navi Mumbai
- W Lalbaug, Mumbai
- W Worli, Mumbai
- W Turbhe, Navi Mumbai
- SW Dewas Naka, Indore

BMW Munich Motors

- SW Sarona, Raipur
- SW Hingna MIDC, Nagpur

BMW Navnit Motors

- S Juhu, Mumbai
- S Malad, Mumbai
- W Andheri, Mumbai
- W Gokul Nagar, Thane

SOUTH

BMW Deutsche Motoren

- S Whitefield, Bengaluru
- W Whitefield, Bengaluru

BMW EVM Autokraft

- SW Kalamassery, Kochi
- S Kovalam Road, Trivandrum
- W Kochuveli, Trivandrum

BMW KUN Exclusive

- S Khairtabad, Hyderabad
- S Jubilee Hill, Hyderabad
- W RTC, Cross Road, Hyderabad
- SW Mangalagiri, Vijayawada

BMW KUN Exclusive

- SW Meenambakkam, Chennai
- S EA Mall, Chennai
- S Ambattur, Chennai
- S OMR, Chennai
- W Ambattur, Chennai
- SW Avinashi Road, Coimbatore
- SW Virudhunagar, Madurai

BMW Varsha Autohaus

- SW Mangalore-Bangalore Highway, Mangalore

BMW Navnit Motors

- S Lavelle Road, Bengaluru
- W Bethahalasoor Post, Bengaluru
- SW Hosur Road, Bengaluru

*Disclaimer: These facilities are not equipped with charging infrastructure.

- SW Showroom and Workshop
- S Showroom
- W Workshop

SEARCH



Scan to visit the BMW Online Shop



For more information, call 1800 102 2269.

The models, equipment and possible vehicle configurations illustrated in this brochure may differ from vehicles supplied in the Indian market. For precise information, please contact your local Authorised BMW Dealer. Subject to change in design and equipment. © BMW India Pvt. Ltd., Gurgaon, India. Not to be reproduced wholly or in part without written permission of BMW India Pvt. Ltd., Gurgaon, India. Compliance under Legal Metrology Act.